



COMMERCIAL VEHICLE AUCTIONS LTD
THE UK'S MOST ESTABLISHED COMMERCIAL VEHICLE AUCTIONEERS

Carr Hill Industrial Estate
Doncaster
DN4 8DE

01302 732600 | cva.noreply@cva-auctions.co.uk

VEHICLE INSPECTION REPORT

WT17UFM

Ford Transit Custom 310 2.0 TDCI 130PS

Inspection		Vehicle	
Serious Damage?	No	VAT	Plus VAT
		V5	Buyer To Apply

Details					
Reg. date	01/08/2017	VIN	WF0YXXTTGYHR14090	CAP Below	£2,250.00
Year	2017	Body Style	Panel Van L1	Gearbox	MANUAL
Mileage	135,244 Miles Warranted	MOT Due	31/07/2026	Gears	6
Fuel Type	Diesel	CAP Clean	£3,625.00		
Colour	WHITE	CAP Average	£3,050.00		

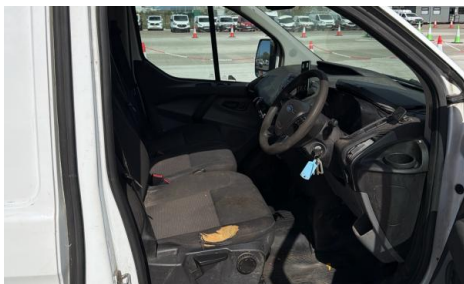
AD-BLUE, ROOF RACK, SIDE LOAD DOOR, E/ MIRRORS, HEATED WINDSCREEN, V5 NEW KEEPER DOCUMENT REFERENCE NUMBER AVAILABLE FOR TAXATION PURPOSES

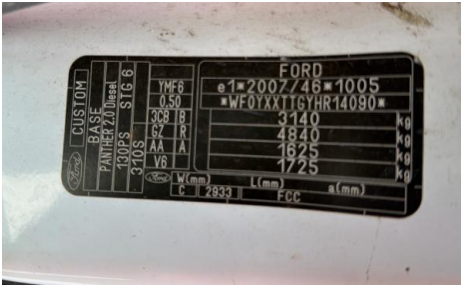
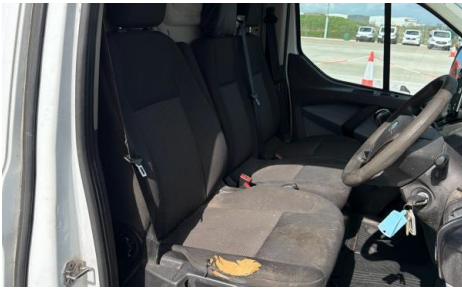
Tyres
NSF
NSR
OSF
OSR
Spare

Features

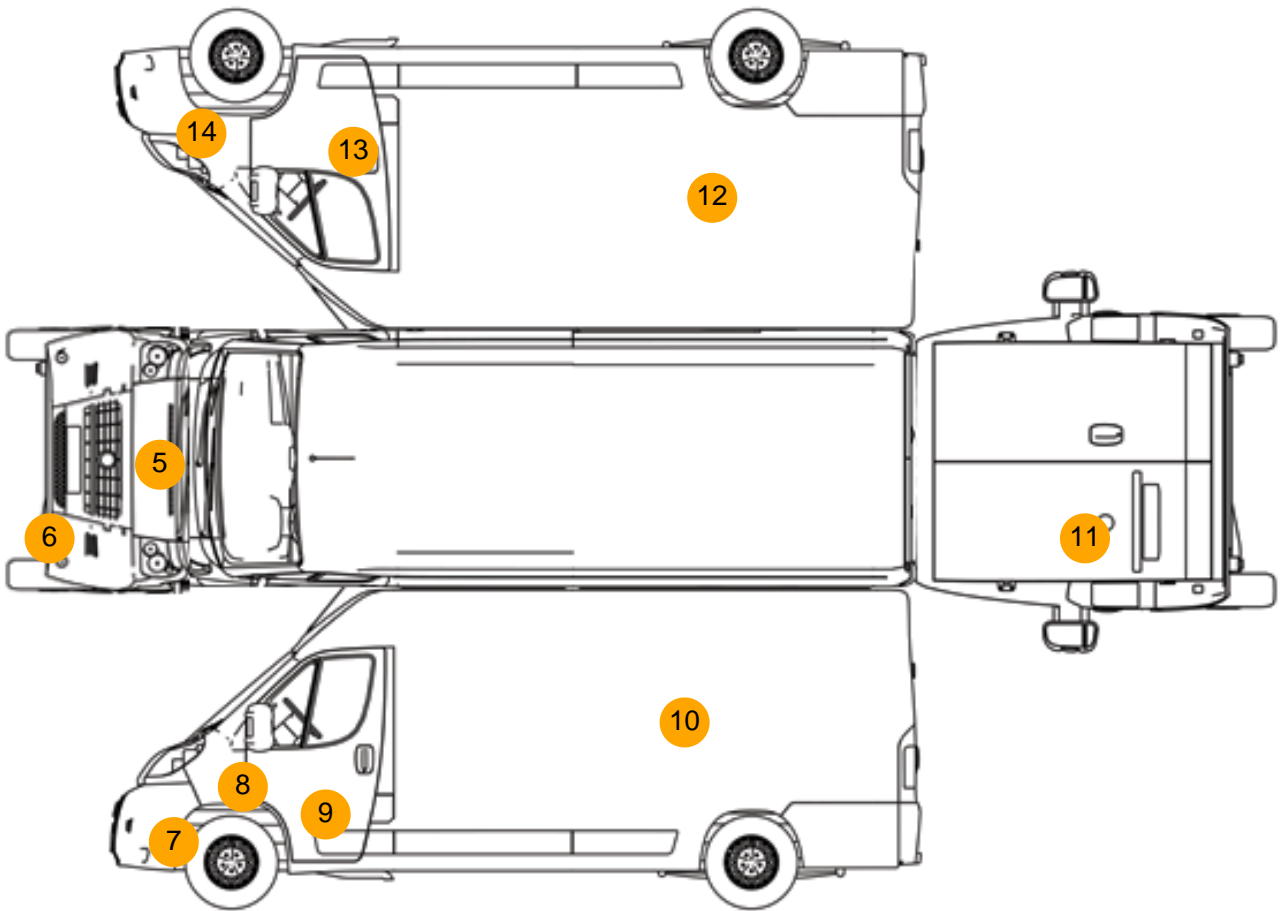
- Bluetooth connection
- Air conditioning
- Front electric windows
- Drivers airbag
- Passenger airbag
- Central locking
- Cloth seat trim

Photos





Condition Check



Damage Photos



1: Carpets Front
Holed
Over 3mm

2: Centre Console Front
Holed
Over 3mm



3: Seat Back Cover osf
Holed
Over 3mm

4: Roof Lining
Holed
Over 3mm



5: Bonnet
Chipped
Multiple Chips

6: Bumper Front Moulding
Missing
Replace



7: Bumper Front
Hole
Over 25mm

8: Wing nsf
Scratched
Over 25mm Thru Paint



9: Door nsf
Scratched
Over 25mm Thru Paint

10: Qtr Panel osr
Scratched
Over 25mm Thru Paint



11: Door nsr
Dented
With Paint Damage

12: Qtr Panel osr
Dented
With Paint Damage



13: Door osf
Scratched
Over 25mm Thru Paint

14: Wing osf
Dented
With Paint Damage



15: B Post os
 Scratched
 Over 25mm Thru Paint

Interior

Carpet Condition	Poor	Upholstery Condition	Average
Seat Condition	Poor	Odour	-
Engine Runs	OK	Gearbox 1st and Reverse Test	OK
Brakes	OK	Gearbox Static Gear Selection (engine running)	OK
Parking Brake	OK	No Excessive Smoking	OK
EML light illuminated	OK	DPF light illuminated	OK
Airbag light illuminated	OK		
ABS light illuminated	OK		